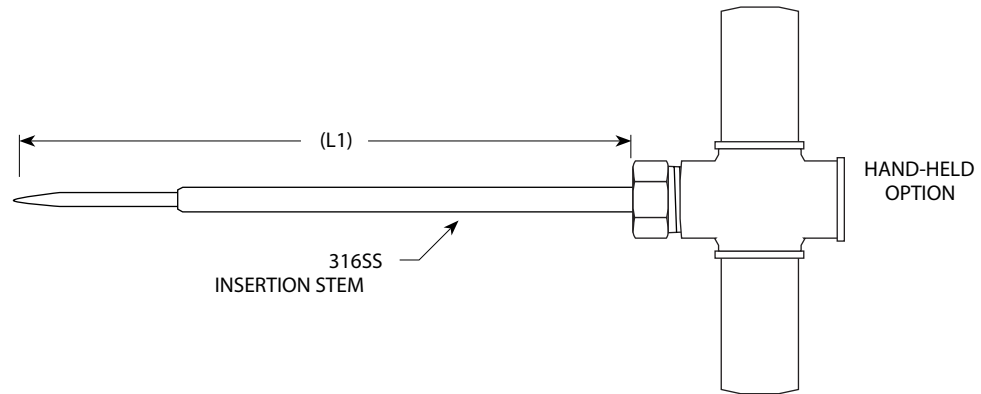


M07HH SERIES

HAND-HELD COMPOST / EARTH SENSOR

The M07 was designed for measuring the temperature inside compost, soil, wood chips and similar environmental situations where the sensor has to penetrate 1 to 20 feet. The M07 probes are extremely sturdy and constructed with 316SS to withstand harsh conditions for long periods of time.

- Standard (Thermocouple) Grounded
- Standard (RTD Pt100) 3-Wire 385 1/3DIN



PART NUMBER

M07HH -

1	2	3

 -

OPTIONS

1 SENSOR TYPE	
R2	RTD, PT100 (max 260°C)
R5	RTD, PT100 (max 500°C)
K	CHROMEL / ALUMEL
J	IRON / CONSTANTAN
T	COPPER / CONSTANTAN
O ()	OTHER (Specify)

2 INSERTION LENGTH (L1)
SPECIFY LENGTH IN INCHES

3 TERMINATION	
T	LEADWIRE CABLE
CH	CONNECTION HEAD
THW	WIRELESS TRANSMITTER
O ()	OTHER (Specify)

OPTIONS	
U	UN-GROUNDED JUNCTION (ONLY APPLIES TO THERMOCOUPLES)
A	FLEXIBLE SS HOSE ARMOUR OVER LEADWIRE
SC	SCREW-IN TIP
D	DUAL SENSORS
O ()	OTHER (Specify)